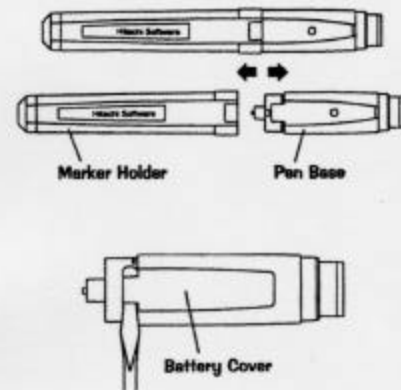


Battery & Dry-Erase Marker Installation

for Hitachi Software Dual-Mode Pen and Large-Area Electronic Eraser

□ To Install Battery in Dual-Mode Pen:

- 1 Separate the Pen Base from the Marker Holder by grasping each part close to their joint. Carefully pull the pen halves apart as shown.
- 2 Remove the Battery Cover from the back of the Pen Base by inserting a small screwdriver (or tip of a ball-point pen) into one of the openings shown. Pry the Battery Cover upward.
- 3 Insert a AAA battery, matching the "+" end of the battery to the "+" in the battery compartment. Snap the Battery Cover back into place.
- 4 Reconnect the pen halves by first aligning the tab on the Pen Base with the notch in the Marker Holder. Push the pen halves together until you feel a snap.



□ To Install Dry-Erase Marker in Dual-Mode Pen:

- 1 Separate the Pen Base from the Marker Holder by grasping each part close to their joint. Carefully pull the pen halves apart as shown in the figure above (top).
- 2 Remove the Expo®-supplied cap from a dry-erase marker of the appropriate color (color of marker should match color of label on Marker Holder). Insert the marker in the Marker Holder.
- 3 Reconnect the pen halves by first aligning the tab on the Pen Base with the notch in the Marker Holder. Push the pen halves together until you feel a snap.
- 4 Place a Hitachi-supplied gray Marker Cap on the tip of the dry-erase marker whenever the pen is not in use, or to use the pen in Projection Mode.

□ To Remove Dry-Erase Marker from Dual-Mode Pen:

- 1 Separate the Pen Base from the Marker Holder by grasping each part close to their joint. Carefully pull the pen halves apart as shown in the figure above (top).
- 2 Remove the Marker Cap from the dry-erase marker.
- 3 Hold the Marker Holder upright—the dry-erase marker will drop out.



□ To Install Battery in Large-Area Electronic Eraser:

- 1 Remove the Battery Cover by first sliding it in the direction of the arrow on the label (see figure). Turn the eraser upside-down—the Battery Cover will fall out.
- 2 Insert a AAA battery, matching the "+" end of the battery to the "+" in the battery compartment. Replace the Battery Cover and slide it closed until you feel a snap.

