
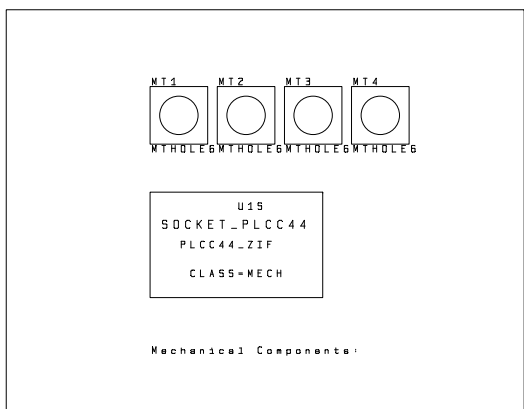
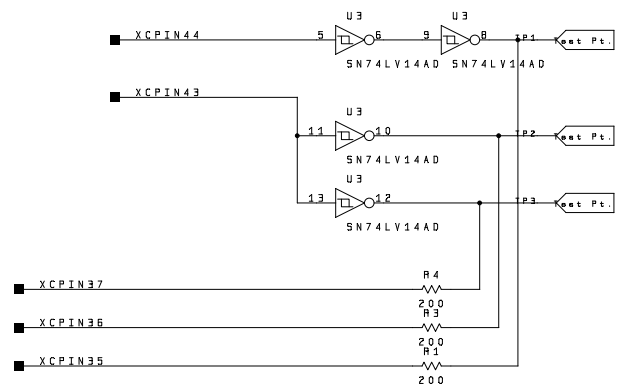
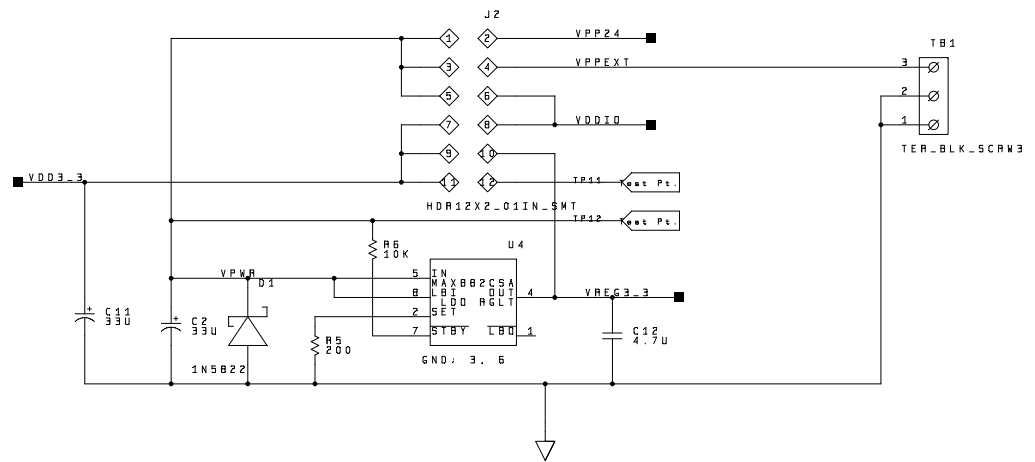



NOTE: Jumper J1 for two grounds on protoboard DIP plug.  
 Jumper in is normal configuration.

1.6	Fixed layout of P1 to correct order
1.5	Fixed error in display by board jumpers
1.0	CHANGE TO XC9572XL AND RELATED
REV	Status
 <b>Brown University</b> School of Engineering	
CPLD Board for Engineering 1630 Contains XC9572XL-PC44 CPLD, display, and support components. Second generation	
DATE: 5/13/07	VERSION: 1.0
DESIGNER: WRP	C SH. 1 OF 2

P3		TC0NN20	
XCPIN01	19	SIG00	
XCPIN02	18	SIG01	
XCPIN03	17	SIG02	
XCPIN04	16	SIG03	
XCPIN05	15	SIG04	
XCPIN06	14	SIG05	
XCPIN07	13	SIG06	
XCPIN08	12	SIG07	
XCPIN09	11	SIG08	
XCPIN11	10	SIG09	
XCPIN12	9	SIG10	
XCPIN13	8	SIG11	
XCPIN14	7	SIG12	
XCPIN18	6	SIG13	
XCPIN19	5	SIG14	
XCPIN40	4	SIG15	
	3	CLK	

GND: 1. 20




**Brown University**  
 School of Engineering

CPLD BOARD FOR ENGINEERING 1630  
 CONTAINS XC9572XL-PC44 CPLD, DISPLAY, AND  
 SUPPORT COMPONENTS. SECOND GENERATION

DATE: 5/13/07	VERSION: 1.0
DESIGNER: WRP	C SH. 2 OF 2